




## About Warning

 **WARNING:** A **WARNING** indicates a potential for property damage, personal injury, or death.

# Installing the Optional Casters on your System

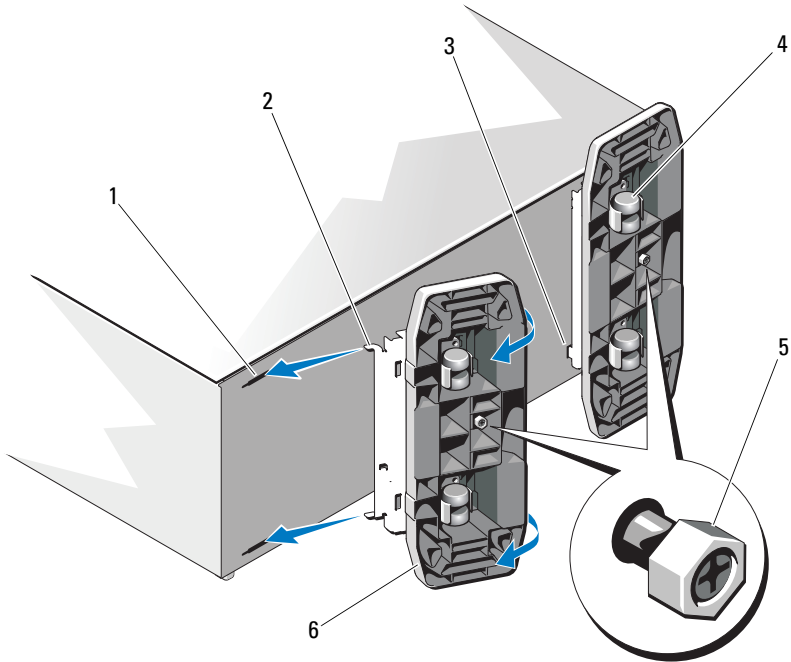
The optional casters for your system come preinstalled in two stabilizer feet (two casters per foot), which attach to the bottom of your system.

- 1 Turn off the system, including any attached peripherals, and disconnect the system from the electrical outlet.
- 2 Rotate the four system feet inward.

 **WARNING:** Whenever you need to lift the system, get others to assist you. To avoid injury, do not attempt to lift the system by yourself.

- 3 Lay the system on its side on a flat work surface with the bottom of the system overhanging the surface edge as shown in Figure 1.
- 4 Remove the four system feet by removing the Phillips screws securing the feet (one screw per foot).
- 5 Install the stabilizer feet:
  - a Holding the stabilizer foot at an angle, slide the two front metal tabs on the foot into the tab slots in the bottom of the system. See Figure 1.
  - b Rotate the foot towards the system, inserting the back metal tab into the tab slot on the chassis. See Figure 1.
  - c Secure the foot to the system using the Phillips captive screw.
  - d Repeat step a through step c to install the remaining stabilizer foot.
- 6 Carefully place the system upright and on its feet on a flat, stable surface.
- 7 Reattach any peripherals, then connect the system to the electrical outlet.
- 8 Turn on the system and attached peripherals.

**Figure 1. Installing the Optional Casters on your System**



- |   |                             |   |                              |
|---|-----------------------------|---|------------------------------|
| 1 | tab slot (6)                | 2 | front metal tab (2 per foot) |
| 3 | back metal tab (1 per foot) | 4 | caster (4)                   |
| 5 | captive screw (1 per foot)  | 6 | stabilizer foot (2)          |

---

**Information in this document is subject to change without notice.  
© 2008 Dell Inc. All rights reserved. Printed in the U.S.A.**

Reproduction of these materials in any manner whatsoever without the written permission of Dell Inc. is strictly forbidden.

Trademarks used in this text: *Dell* and the *DELL* logo are trademarks of Dell Inc.

Other trademarks and trade names may be used in this document to refer to either the entities claiming the marks and names or their products. Dell Inc. disclaims any proprietary interest in trademarks and trade names other than its own.